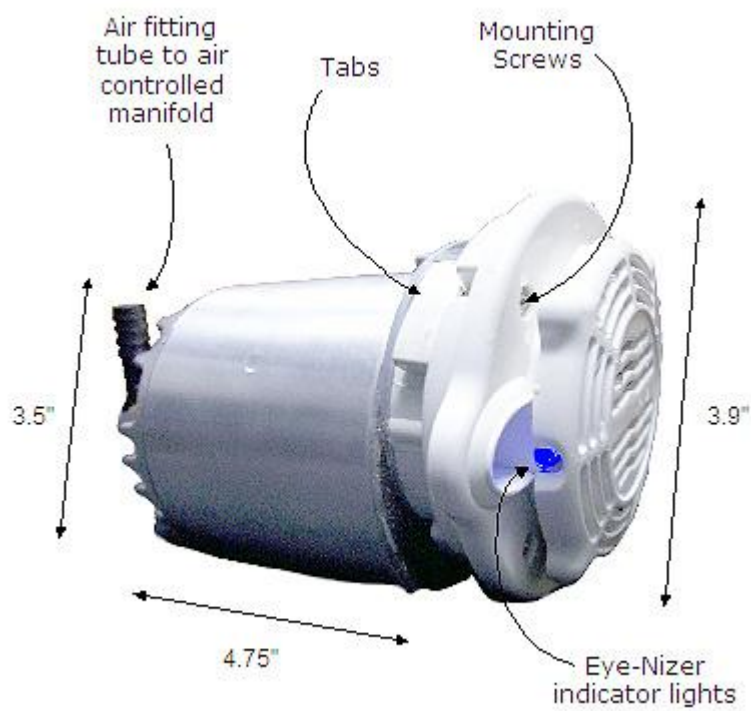


GeniJet™ System

Owner's Manual



GeniJet™ System

Owner's Manual

Congratulations

You are now the owner of the GeniJet™ System. This state-of-the-art jet system has been thoroughly inspected and tested before shipment. It should give you extensive, efficient, and painless service. For maximum performance and reliability please follow the simple instructions in this manual.

GeniJet™ System

With today's stringent health regulations, hygiene is a growing concern for today's spa owners and clients. To meet this concern, Genieye Systems has developed and has a patent pending for the GeniJet™ System.

The GeniJet™ produces two pressurized water streams for maximum massaging action. There are no water pipes to collect stagnant water and bacteria, thereby reducing the risk of bacterial infections and disease caused by pedicure foot spas.

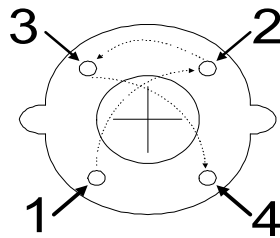
- ▲ Ensures proper hygiene
- ▲ Provides client peace of mind
- ▲ Reduced Maintenance
- ▲ Less chance of leaking pipes

GeniJet™ Airflow

For a true hydrotherapy treatment, a 'water-with-air' combination is necessary. As the air cushions the water - soft tissue bruising is eliminated and the client's feet are left feeling refreshed. Also, the GeniJet™ has been designed with the airflow through the motor which serves two purposes – one reducing wear on the motor and second helping warm the spa water.

GeniJet™ Installation

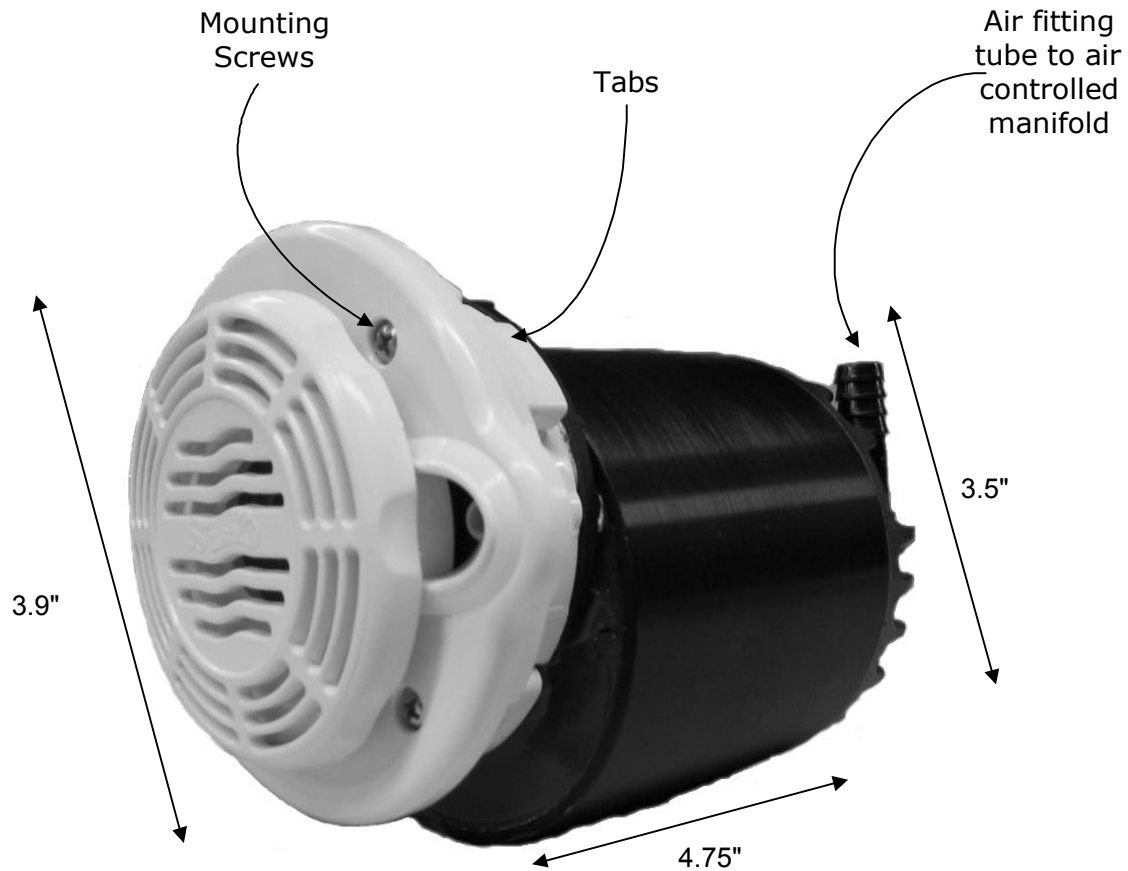
1. Determine the appropriate positioning for the GeniJet™ ensuring the surface is flat where the motor will be mounted and that adequate clearance is provided for footrests and other spa elements to function properly on the underside of the spa. The motor should be kept as close to the bottom of the bowl as possible to allow for full water submersion of the GeniJet™ during operation. Recommended positioning 3/8" – 3/4" from bottom.
2. Drill a 3 1/2" hole in the spa wall
3. Slide the system through the hole from the inside of the bowl/tub.
4. Using a hand screwdriver only (to prevent over-tightening of tabs), hand tighten (in a diagonal pattern – see diagram below) the four screws to secure the tabs in place.
5. Connect the air fitting to an air control manifold using flexible plastic tubing. When placing the air manifold onto the spa, mount above water level in the basin.
6. Plug into an air switch control box, connected to a GFI.
- 7. Any physical alterations to the GeniJet™ will VOID your warranty**



GeniJet™ Cleaning Procedure

1. Gently turn the cover counter clock wise to remove it (this will expose the entire water chamber).
2. Use anti-bacterial soap or a solution of 3% hydrogen peroxide to wipe the inner chamber. **Do NOT use chlorine or chlorinated products (such as diluted bleach) as this may compromise the integrity of plastics and VOID your warranty**
3. Clean the air supply lines by gently sliding a "q-tip" (dipped in 3% hydrogen peroxide) into the air canals.
4. Replace the cap by gently turning it clockwise until snug (no need to over-tighten).

Dimensions



Specifications

Motor:	1.25A @ 115 VAC (GFI Receptacle) 0.1HP @ 3600HP Magnetically coupled motor
Pump:	Dual jet with adjustable airflow White premium grade ABS house with removable jet cap
Mounting:	Single 3.50" hole Auto tightening mounting screws
Warranty:	1 year repair or replacement (See Limited Warranty)

Important Safety Instructions
Read and Follow All Instructions
Save These Instructions

When installing and using this electrical equipment, basic safety precautions should always be followed, including the following:

1. READ AND FOLLOW ALL INSTRUCTIONS
2. WARNING – To reduce the risk of injury, do not permit children to use this product unless they are closely supervised at all times.
3. For Cord and Plug connected units – WARNING – Risk of electric shock. Connect only to a grounding type receptacle protected by a ground-fault-circuit interrupter (GFCI). Contact a qualified electrician if you cannot verify that the receptacle is protected by a GFCI.
4. For Cord and Plug connected units – Do not bury cord. Locate cord to minimize abuse from open mechanical equipment.
5. For Cord and Plug connected units – WARNING – To reduce the risk of electric shock, do not use extension cord to connect unit to electric supply; provide a properly located outlet.
6. For Cord and Plug connected units – WARNING – replace damaged cord immediately.
7. To properly connect for safe operation use air switch control.
8. Any physical alterations to the GeniJet™ will **VOID your warranty**.
9. Use of chlorine or chlorinated products (such as diluted bleach) may compromise the integrity of the plastics and **VOID your warranty**.



2172 Wyecroft Road, units 14-15
Oakville, Ontario L6L 6R1
Canada

Toll Free: (866) 844-8835
Telephone: (905) 469-2689