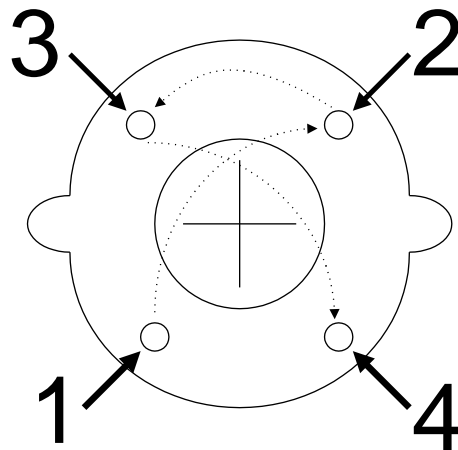


GENIJET INSTALLATION AND CLEANING INSTRUCTIONS

GeniJet™ Installation

1. Determine the appropriate positioning for the GeniJet™ ensuring the surface is flat where the motor will be mounted and that adequate clearance is provided for footrests and other spa elements to function properly on the underside of the spa. The motor should be kept as close to the bottom of the bowl as possible to allow for full water submersion of the GeniJet™ during operation. Recommended positioning 3/8" – 3/4" from bottom.
2. Drill a 3 1/2" hole in the spa wall
3. Slide the system through the hole from the inside of the bowl/tub
4. Using a hand screw driver only (to prevent over-tightening of tabs), hand tighten (in a diagonal pattern – see diagram below) the four screws to secure the tabs in place
5. Connect the air fitting to an air control manifold using flexible plastic tubing. When placing air manifold onto spa, mount above water level in the basin.
6. Plug into an air switch control box, connected to a GFCI
7. **Any physical alterations to the GeniJet™ will VOID your warranty**



GeniJet™ Locking Cap

The GeniJet™ has the added protection feature of being lockable.

1. Place the cap into position and turn clockwise until the locking pin is at the top right corner of motor mount.
2. To remove cap the use of a tool is required.
3. Insert tool shown in diagram (below) adjacent to locking pin.
4. Gently turn the cap counter-clockwise to remove cap.



GeniJet™ Cleaning Procedure

1. Gently turn the cover counter clock wise to remove it (this will expose the entire water chamber)
2. Use anti-bacterial soap or a solution of 3%-11% hydrogen peroxide to wipe the inner chamber.
3. Clean air supply line by gently sliding a "Q-tip" (dipped in 3% hydrogen peroxide) into the air canal
4. Replace the cap by gently turning it clockwise until snug (no need to over-tighten)
5. The use of bleach is not required, however if required by state and/or local regulations use the lowest concentration. **NOTE: THE USE OF BLEACH MAY DISCOLOUR THE PLASTICS**

Dimensions



Specifications

Motor:	1.25A @ 115 VAC (GFI Receptacle) 0.1HP @ 3600HP Magnetically coupled motor
Pump:	Dual jet with adjustable airflow White premium grade ABS house with removable jet cap
Mounting:	Single 3.50" hole Auto tightening mounting screws
Warranty:	2 year repair or replacement (See Limited Warranty)

Important Safety Instructions

***Read and Follow All Instructions
Save These Instructions***

When installing and using this electrical equipment, basic safety precautions should always be followed, including the following:

1. READ AND FOLLOW ALL INSTRUCTIONS
2. WARNING – To reduce the risk of injury, do not permit children to use this product unless they are closely supervised at all times.
3. For Cord and Plug connected units – **WARNING** – Risk of electric shock. Connect only to a grounding type receptacle protected by a ground-fault circuit interrupter (GFCI). Contact a qualified electrician if you cannot verify that the receptacle is protected by a GFCI.
4. For Cord and Plug connected units – Do not bury cord. Locate cord to minimize abuse from open mechanical equipment.
5. For Cord and Plug connected units – WARNING – To reduce the risk of electric shock, do not use extension cord to connect unit to electric supply; provide a properly located outlet.
6. For Cord and Plug connected units – WARNING – replace damaged cord immediately.
7. To properly connect for safe operation use air switch control.
8. Any physical alterations to the GeniJet™ will **VOID your warranty.**